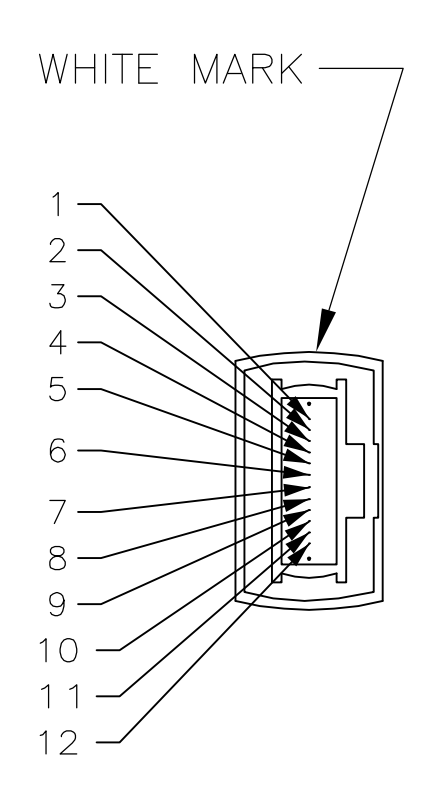
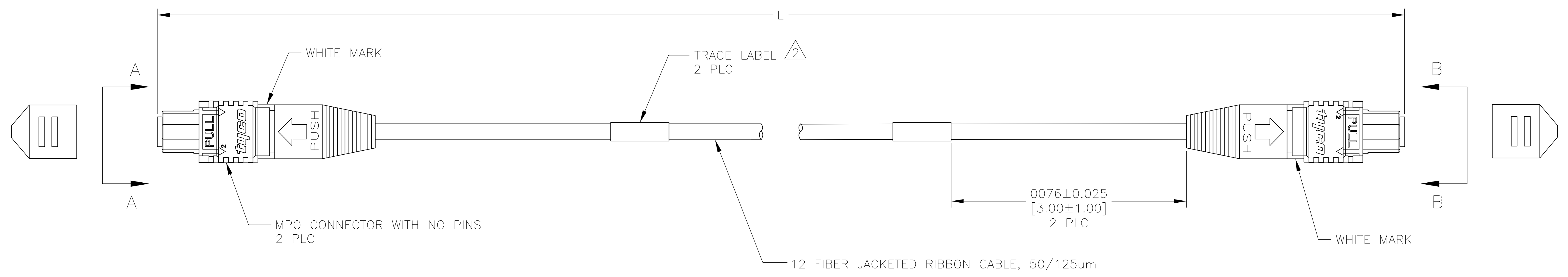
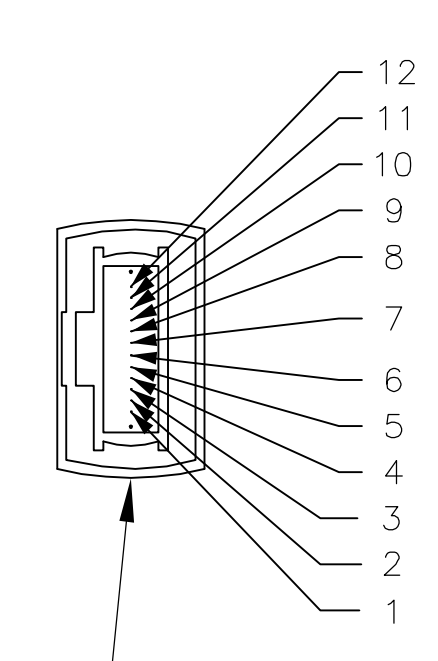


- NOTES:
- MAXIMUM INSERTION LOSS (1310nm):
 0.5dB + 1.5dB/km. SEE TABLE.
 FIBER POSITIONS 5, 6, 7, AND 8
 ARE INACTIVE AND ARE NOT TESTED.
 - STANDARD TRACE LABEL TO BE APPLIED AT BOTH ENDS.
 - PRODUCT AND PROCESSING MUST MEET REQUIREMENTS
 OF TYCO ELECTRONICS STANDARD 230-702.



REVERSE FIBER PATH

LEFT MPX FIBER #	RIGHT MPX FIBER #
1	12
2	11
3	10
4	9
5	8
6	7
7	6
8	5
9	4
10	3
11	2
12	1



WHITE MARK

VIEW A-A
NOT TO SCALE

VIEW B-B
NOT TO SCALE

MPO CONNECTOR FIBER PATH

MAX IL (dB)	L METERS [INCHES]	PART NUMBER
0.59	60.000±0.600 [2362.2±23.6]	2-6693182-5
0.56	40.000±0.400 [1574.8±15.8]	2-6693182-4
0.95	300.000±3.000 [11811.0±119.0]	2-6693182-3
0.80	200.000±2.000 [7874.0±79.0]	2-6693182-2
0.65	100.000±1.000 [3937.0±40.0]	2-6693182-1
0.53	20.000±0.200 [787.40±8.00]	2-6693182-0
0.52	15.000±0.150 [590.55±6.00]	1-6693182-5
0.52	12.000±0.150 [472.44±6.00]	1-6693182-2
0.52	10.000±0.150 [393.70±6.00]	1-6693182-0
0.51	5.000±0.080 [196.85±3.00]	6693182-5
0.50	3.000±0.050 [118.11±2.00]	6693182-3
0.50	2.000±0.050 [78.74±2.00]	6693182-2
0.50	1.000±0.050 [39.37±2.00]	6693182-1

THIS DRAWING IS A CONTROLLED DOCUMENT.

DIMENSIONS: METERS [INCHES]	TOLERANCES UNLESS OTHERWISE SPECIFIED:	0 PLC ± -	1 PLC ± -	2 PLC ± -	3 PLC ± -	4 PLC ± -	ANGLES ± -	FINISH -
-----------------------------	--	-----------	-----------	-----------	-----------	-----------	------------	----------

APPROVED: J. BARRY	DATE: 03JAN06	NAME: J. BARRY
PRODUCT SPEC: -	APPLICATION SPEC: -	WEIGHT: -
CUSTOMER DRAWING	SCALE: NTS	SHEET 1 OF 1

DWG: KATHY HE 29DEC05
 CHK: J. BARRY 03JAN06
 TycO Electronics Corporation
 Harrisburg Pa, 17105-3608
 Tyco Electronics Corporation
 CABLE ASSEMBLY, FIBER OPTIC, 50/125um
 12 FIBER RIBBON, MPO W/NO PINS,
 REVERSED PATH
 SIZE: A1 CAGE CODE: 00779 DRAWING NO: 6693182
 RESTRICTED TO: -